

10. Maintenance and cleaning

It is absolutely essential that the fixture is kept clean and that dust, dirt and smoke-fluid residues must not build up on or within the fixture. Otherwise, the fixture's light-output will be significantly reduced. Regular cleaning will not only ensure the maximum light-output, but will also allow the fixture to function reliably throughout its life. A soft lint-free cloth moistened with any good glass cleaning fluid is recommended, under no circumstances should alcohol or solvents be used!

DANGER!
Disconnect from the mains before starting any
maintenance work

The front objective lens will require weekly cleaning as smoke-fluid tends to building up residues, reducing the light-output very quickly. The cooling-fans should be cleaned monthly.

The interior of the fixture should be cleaned at least annually using a vacuum-cleaner or an air-jet. Remove dust and dirt from the fans and cooling vents using a soft brush and vacuum-cleaner.

Important! Check the air filters periodically and clean before they become clogged!

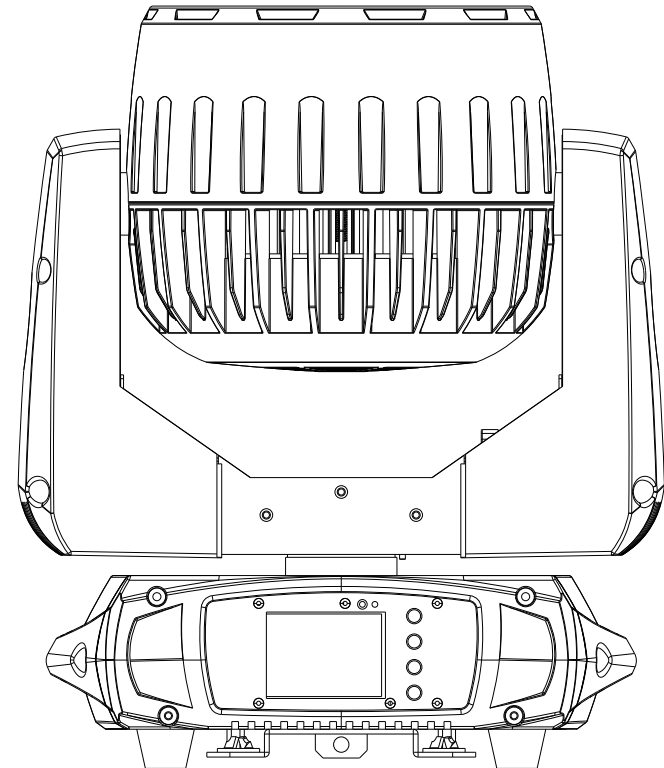
Clean two air filters placed in the fixture's covers and two in the fixture base. Use a vacuum cleaner, compressed air or you can wash them and put back dry.

After replacing the air filters, reset the elapsed time counter in the menu "Information" (Information--->Air Filters--->Elapsed Time).

Replacing the fuse. Before replacing the fuse, unplug mains lead.

- 1) Remove the fuse holder on the rear panel of the base with a fitting screwdriver from the housing (anti-clockwise).
- 2) Remove the old fuse from the fuse holder.
- 3) Install the new fuse in the fuse holder (only the same type and rating).
- 4) Replace the fuseholder in the housing and fix it.

MINI WASH ZOOM 7X40P



Version 1.0

USER MANUAL

- Be sure to read the USER MANUAL carefully before using this product.
- Be sure to keep the USER MANUAL properly for future needs.
- Use this product correctly when you can fully understand the User Manual

1.Safety instructions

Thank you for choosing our MINI WASH ZOOM 7X40P. FOR YOUR OWN SAFETY, PLEASE READ THIS USER MANUAL CAREFULLY

BEFORE YOU INITIAL START - UP!

CAUTION!
Be careful with your operations.
With a high voltage you can suffer a dangerous electric shock when touching the wires!

This device has left our premises in absolutely perfect condition. In order to maintain this condition and to ensure a safe operation, it is absolutely necessary for the user to follow the safety instructions and warning notes written in this manual.

CAUTION!
Keep this device away from rain and moisture!
Unplug mains lead before opening the housing!

Important:

The manufacturer will not accept liability for any resulting damages caused by the non-observance of this manual or any unauthorized modification to the device.

Please consider that damages caused by manual modifications to the device are not subject to warranty.

During the operation the housing becomes hot). Allow the fixture to cool approximately 20 minutes prior to manipulate with it.

Make sure that the available voltage is not higher than stated on the rear panel.

WARNING! This unit does not contain an ON/OFF switch. Always disconnect power input cable to completely remove power from unit when not in use or before cleaning or servicing the fixture.

Make sure that the power-cord is never crimped or damaged by sharp edges. Check the device and the power-cord from time to time.

Always disconnect from the mains, when the device is not in use or before cleaning it. Only handle the power-cord by the plug. Never pull out the plug by tugging the power cord.

This device falls under protection class I. Therefore it is essential to connect the yellow/green conductor to earth.

The electric connection, repairs and servicing must be carried out by a qualified employee.

Do not connect this device to a dimmer pack.

Do not switch the fixture on and off in short intervals as this would reduce the lamp's life.

During the initial start-up some smoke or smell may arise. This is a normal process and does not necessarily mean that the device is defective.

Do not touch the device's housing bare hands during its operation (housing becomes hot)!

For replacement use lamps and fuses of same type and rating only.

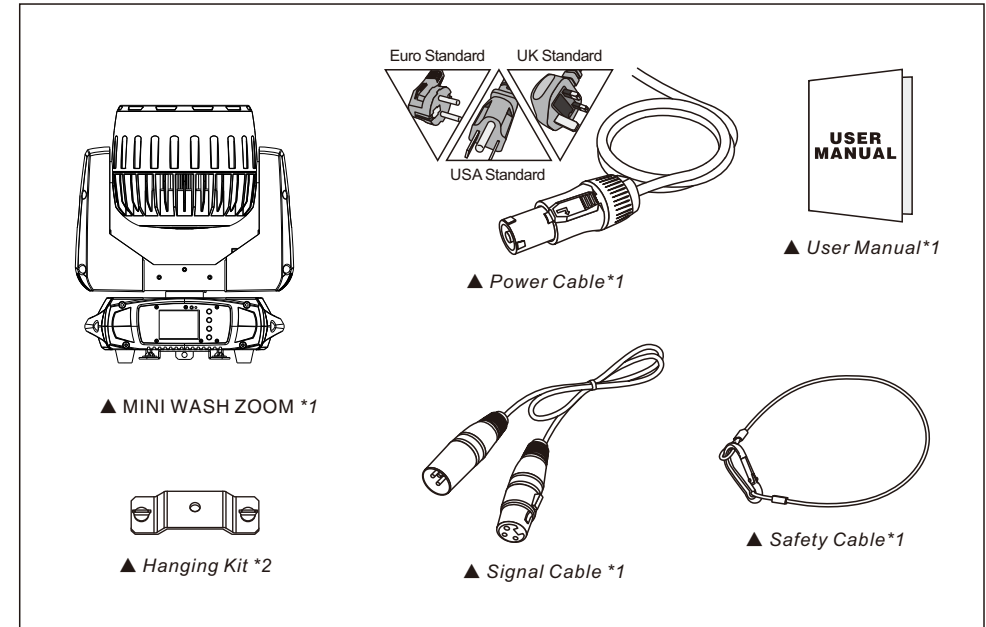
CAUTION ! EYE DAMAGES !
Avoid looking directly into the light source
(meant especially for epileptics) !

41	35				White in pixel 5
				0..255	White in pixel 5 saturation control(0-100%)
42	36				Red in Pixel 6
				0..255	White in pixel 6 saturation control (0-100%)
43	37				Green in pixel 6
				0..255	Green in pixel 6 saturation control(0-100%)
44	38				Blue in pixel 6
				0..255	Blue in pixel 6 saturation control(0-100%)
45	39				White in pixel 6
				0..255	White in pixel 6 saturation control(0-100%)
46	40				Red in Pixel 7
				0..255	White in pixel 7 saturation control (0-100%)
47	41				Green in pixel 7
				0..255	Green in pixel 7 saturation control(0-100%)
48	42				Blue in pixel 7
				0..255	Blue in pixel 7 saturation control(0-100%)
49	43				White in pixel 7
				0..255	White in pixel 7 saturation control(0-100%)
					Special function
				0..19	No function
				20..29	No function
				30..39	No function
				40..79	No function
				80..89	All Motor reset
				90..94	SCAN Motor Reset
				95..99	ZOOM Motor Reset
50	44	20	14	100..119	Internal program 1
				120..139	Internal program 2
				140..159	Internal program 3
				160..179	Internal program 4
				180..199	Internal program 5
				200..219	Internal program 6
				220..239	Internal program 7
				240..255	Internal Sound program 1

22	16				Red in Pixel 1
		0..255			Red in pixel 1 saturation control (0-100%)
23	17				Green in Pixel 1
		0..255			Green in pixel 1 saturation control (0-100%)
24	18				Blue in Pixel 1
		0..255			Blue in pixel 1 saturation control(0-100%)
25	19				White in pixel 1
		0..255			White in pixel 1 saturation control(0-100%)
26	20				Red in pixel 2
		0..255			Red in pixel 2 saturation control(0-100%)
27	21				Green in pixel 2
		0..255			Green in pixel 2 saturation control(0-100%)
28	22				Blue in pixel 2
		0..255			Blue in pixel 2 saturation control(0-100%)
29	23				White in pixel 2
		0..255			White in pixel 2 saturation control(0-100%)
30	24				Red in Pixel 3
		0..255			Red in pixel 3 saturation control (0-100%)
31	25				Green in pixel 3
		0..255			Green in pixel 3 saturation control(0-100%)
32	26				Blue in pixel 3
		0..255			Blue in pixel 3 saturation control(0-100%)
33	27				White in pixel 3
		0..255			White in pixel 3 saturation control(0-100%)
34	28				Red in Pixel 4
		0..255			Red in pixel 4 saturation control (0-100%)
35	29				Green in pixel 4
		0..255			Green in pixel 4 saturation control(0-100%)
36	30				Blue in pixel 4
		0..255			Blue in pixel 4 saturation control(0-100%)
37	31				White in pixel 4
		0..255			White in pixel 4 saturation control(0-100%)
38	32				Red in Pixel 5
		0..255			White in pixel 5 saturation control (0-100%)
39	33				Green in pixel 5
		0..255			Green in pixel 5 saturation control(0-100%)
40	34				Blue in pixel 5
		0..255			Blue in pixel 5 saturation control(0-100%)

2.UNPACKING

MINI WASH ZOOM 7X40Padopts 7*40W white LED lamp which features high brightness and stability. Please carefully unpack it when you receive the fixture and check whether it is damaged during the transportation. And please check whether the following items are included inside the box:



MINI WASH ZOOM 7X40P is made of a new type of high temperature strength of engineering plastics and cast aluminum casing with nice outlook . The fixture is designed and manufactured strictly following CE standards, complying with international standard DMX512 protocol. It's available independently controlled and linkable with each other for operation. And it is applicable for large-scale live per formances, theater, studio, nightclubs and discos.

This manual covers the important information on installation and applications. Meanwhile, please keep this manual well for future needs.

3. TECHNICAL INFORMATION

SPECIFICATIONS:

- Input Voltage: AC90-260V 50/60Hz
- LED Quantities: 7*40W 4-IN-1 RGBW LEDs
- Control Signal: DMX512, master-slave and sound activated or auto operation
- Control Channel: 20/14/44/50 DMX channels USITT DMX-512
- Power Consumption: 350W
- Dimensions: 38(D)*20(W)*40(H)mm
- Packing Dimensions: 41(D)*30.5(W)*41.5 CM
- Net Weight: 9.5kg
- Gross Weight: 12 kg

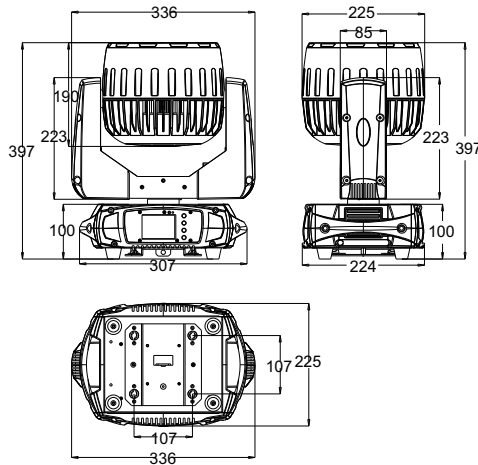
FEATURES:

- 7*40W 4-IN-1 RGBW LEDs
- 50000 hours life span and low power
- CTB and CTO, linear colour temperature 2700K -8000K changable
- 8/16 bit smooth and precise resolution for PAN/TILT movement
- Scan position memory, auto reposition after unexpected movement
- 6°-60° Smooth electronic linear zoom
- Built-in running programs
- Built-in color and graphic effect macros
- 0-100% Linear LED dimmer
- 1-25T/sec high speed LED shutter/strobe effect with variable speed
- Preset variable/random strobe and dimming pulse effect
- Per each LED controllable individually

- DMX512, master-slave, and sound activated controllable or auto operation
- DMX recorder and edit function integrated
- High resolution graphic LCD display
- POWERCON connector IN
- 3-Pin XLR connectors IN/OUT
- Constant temperature readout and management function
- -35°C ~ 45°C max ambient temperature
- IP20 protection rating

FUNCTION:

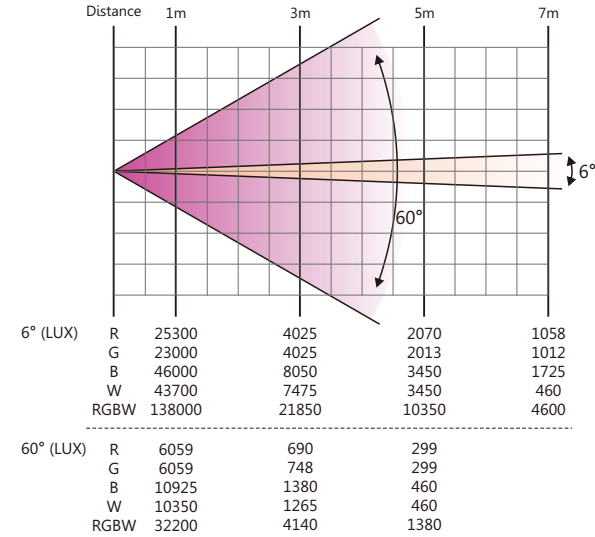
- Scan position memory, auto reposition after unexpected movement
- Built-in running programs
- Built-in color and graphic effect macros
- Preset variable/random strobe and dimming pulse effect
- DMX recorder and edit function integrated



21	15	19	Static patterns or patterns speed	
			Static Patterns	
			(If channel 18 is in the interval 016 – 031)	
			000..007	static scene1
			008..015	static scene2
			016..023	static scene3
			024..031	static scene4
			032..039	static scene5
			040..047	static scene6
			048..055	static scene7
			056..063	static scene8
			064..071	static scene9
			072..079	static scene10
			080..087	static scene11
			088..095	static scene12
			096..103	static scene13
			104..111	static scene14
			112..119	static scene15
			120..127	static scene16
			128..135	static scene17
			136..143	static scene18
			144..151	static scene19
			152..159	static scene20
			160..167	static scene21
			168..175	static scene22
			176..183	static scene23
			184..191	static scene24
			192..199	static scene25
			200..207	static scene26
			208..215	static scene27
			216..223	static scene28
			224..231	static scene29
			232..239	static scene30
			240..247	static scene31
248..255	static scene32			
Dynamic Patterns				
(If channel 18 is in the interval 032 – 255)				
000..023	No function			
024..137	Forward speed from zero speed to fast speed			
138..141	Stop movement			
142..255	Reverse speed from zero speed to fast speed			

18	12	16	154..167	Red+Blue+White
			168..181	Red+Green+White
			182..195	Red+Blue+Green+White
			196..202	2700K
			203..209	3200K
			210..216	3500K
			217..223	5000K
			224..230	5500K
			231..237	6000K
			238..244	6500K
			245..251	7000K
252..255	8000K			
19	13	17		Background dimmer
			000..255	Background dimmer 0 – 100%.
20	14	18		Patterns
			000..015	No function
			016..031	Static patterns
			032..043	Dynamic Scene1
			44.055	Dynamic Scene2
			056..067	Dynamic Scene3
			068..079	Dynamic Scene4
			080..091	Dynamic Scene5
			092..103	Dynamic Scene6
			104..115	Dynamic Scene7
			116..127	Dynamic Scene8
			128..139	Dynamic Scene9
			140..151	Dynamic Scene10
			152..163	Dynamic Scene11
			164..175	Dynamic Scene12
			176..187	Dynamic Scene13
			188..199	Dynamic Scene14
			200..211	Dynamic Scene15
			212..223	Dynamic Scene16
224..235	Dynamic Scene17			
236..247	Dynamic Scene18			
248..255	Dynamic Scene19			

4.PHOTOMETRICS DIAGRAM



5.OPERATION INSTRUCTIONS

- MINI WASH ZOOM 7X40 is for wash effect for on-site decoration purpose.
- Don't turn on the fixture if it's been through severe temperature difference like after transportation because it might damage the light due to the environment changes. So make sure to operate the fixture until it is in normal temperature.
- This light should be keep away from strong shaking during any transportation or movement.
- Don't pull up the light by only the head, or it might cause damages to the mechanical parts.
- Don't expose the fixture in overheat, moisture or environment with too much dust when installing it. And don't lay any power cables on the floor. Or it might cause electronic shock to the people.
- Make sure the installation place is in good safety condition before installing the fixture.
- Make sure to put the safety chain and check whether the screws are screwed properly when installing the fixture.
- Make sure the lens are in good condition.It's recommended to replace the units if there are any damages or severe scratch.
- Make sure the fixture is operated by qualified personnel who knows the fixture before using.
- Keep the original packages if any second shipment is needed.
- Don't try to change the fixtures without any instruction by the manufacturer or the appointed repairing agencies.
- It is not in warranty range if there are any malfunctions from not following the user manual to operate or any illegal operation, like shock short circuit, electronic shock , lamp broke, etc.

6.INSTALLATIONS

Cautions:

For added protection mount the fixtures in areas outside walking paths, seating areas, or in areas where the fixture might be reached by unauthorized personnel.

Before mounting the fixture to any surface, make sure that the installation area can hold a minimum point load of 10 times the device's weight.

Fixture installation must always be secured with a secondary safety attachment, such as an appropriate safety cable.

Never stand directly below the device when mounting, removing, or servicing the fixture.

from a ceiling, or set on a flat level surface (see illustration below). Be sure this fixture is kept at least 0.5m (1.5 f t) away from any flammable materials (decoration etc.).

Always use and install the supplied safety cable as a safety measure to prevent accidental damage and/or injury in the event the clamp fails.

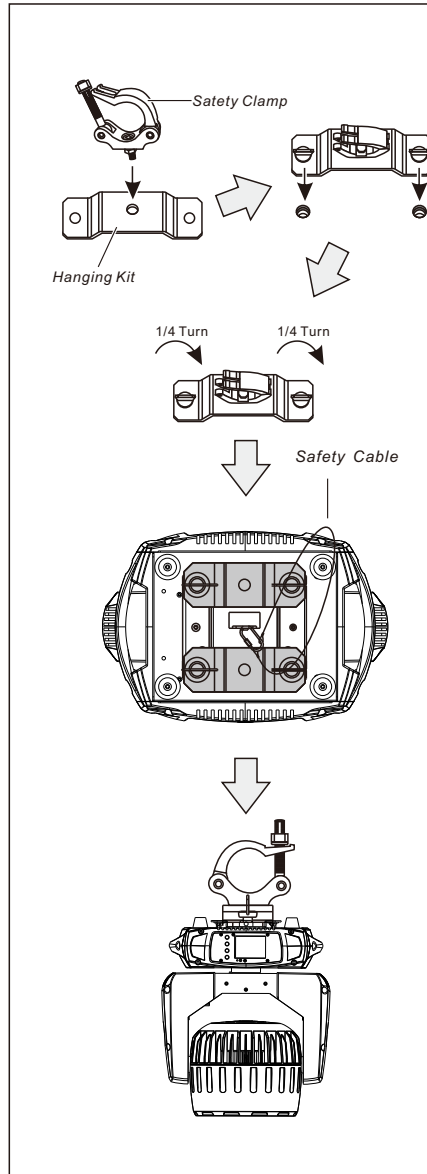
Mounting points:

Overhead mounting requires extensive experience, including amongst others calculating working load limits, a fine knowledge of the installation material being used, and periodic safety inspection of all installation material and the fixture. If you lack these qualifications, do not attempt the installation yourself. Improper installation can result in bodily injury.

Be sure to complete all rigging and installation procedures before connecting the main power cord to the appropriate wall outlet.

Clamp Mounting:

MINI WASH ZOOM 7X40 provides a unique mounting bracket assembly that integrates the bottom of the base, and the safety cable rigging point in one unit (see the illustration below). When mounting this fixture to truss be sure to secure an appropriately rated clamp to the included omega bracket using a M10 screw fitted through the center hole of the "Hanging Kit". As an added safety measure be sure to attached at least one properly rated safety cable to the fixture using on of the safety cable rigging point integrated in the base assembly .

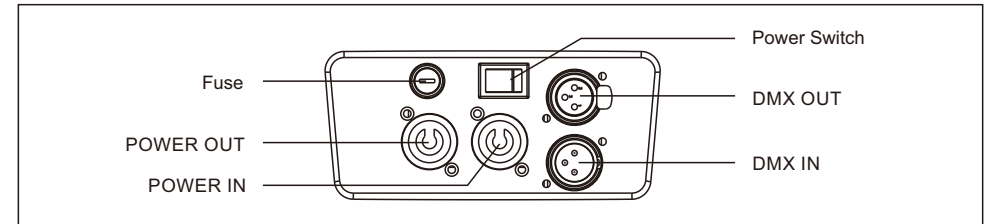


INSTALLATION DIAGRAM

16	10	14		Foreground color for patterns
			0..0	No Function
			1..13	Red
			14..27	Green
			28..41	Blue
			42..55	White
			56..69	Red+White
			70..83	Green+White
			84..97	Blue+White
			98..111	Green+Blue
			112..125	Red+Blue
			126..139	Red+Green
			140..153	Green+Blue+White
			154..167	Red+Blue+White
			168..181	Red+Green+White
			182..195	Red+Blue+Green+White
			196..202	2700K
203..209	3200K			
210..216	3500K			
217..223	5000K			
224..230	5500K			
231..237	6000K			
238..244	6500K			
245..251	7000K			
252..255	8000K			
17	11	15		Foreground dimmer
			000..255	Foreground dimmer 0 – 100%.
18	12	16		Background color for patterns
			0..0	No Function
			1..13	Red
			14..27	Green
			28..41	Blue
			42..55	White
			56..69	Red+White
			70..83	Green+White
			84..97	Blue+White
			98..111	Green+Blue
112..125	Red+Blue			
126..139	Red+Green			
140..153	Green+Blue+White			

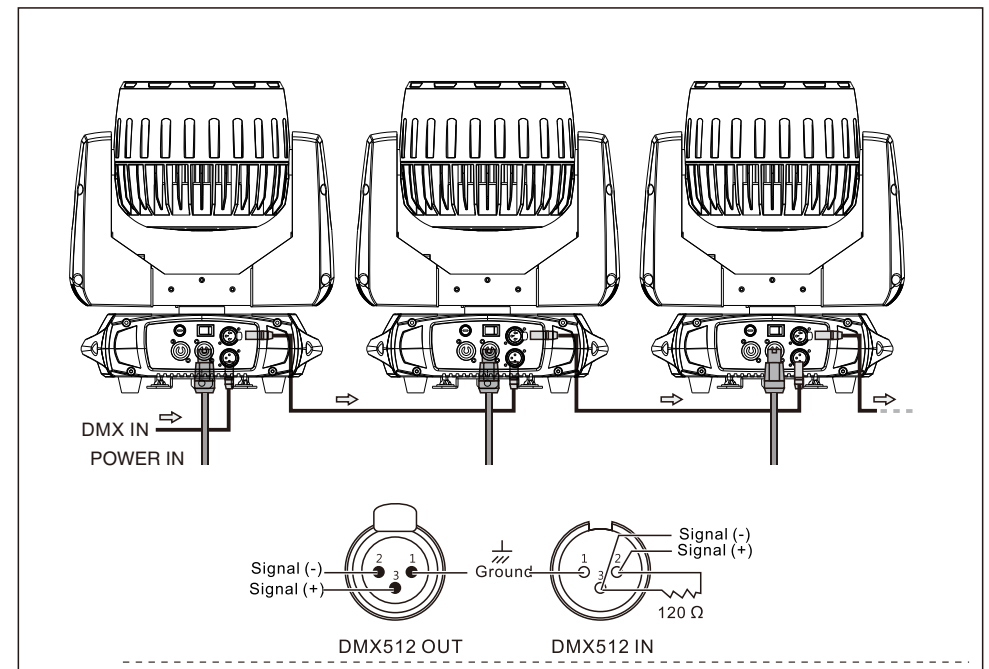
12	8	12	12		Zoom
				0..255	In(near) to out(far)
13	9	13	13		Virtual color
				0..0	No Function
				1..13	Red
				14..27	Green
				28..41	Blue
				42..55	White
				56..69	Red+White
				70..83	Green+White
				84..97	Blue+White
				98..111	Green+Blue
				112..125	Red+Blue
				126..139	Red+Green
				140..153	Green+Blue+White
				154..167	Red+Blue+White
				168..181	Red+Green+White
				182..195	Red+Blue+Green+White
				196..202	2700K
				203..209	3200K
				210..216	3500K
				217..223	5000K
				224..230	5500K
				231..237	6000K
				238..244	6500K
				245..251	7000K
				252..255	8000K
14					Color Temp
				0..15	No Function
				16..45	Below 3200K
				46..75	3200K - 3500K
				76..105	3500K - 5000K
				106..135	5000K - 5500K
				136..165	5500K - 6000K
				166..195	6000K - 6500K
196..225	6500K - 7000K				
226..255	7000K - 8000K				
15					Visual Tungsten Lamp
				0..15	No Function
				16..255	Tungsten lamp effect is gradually enhanced

7.CONTROL CONNECTION

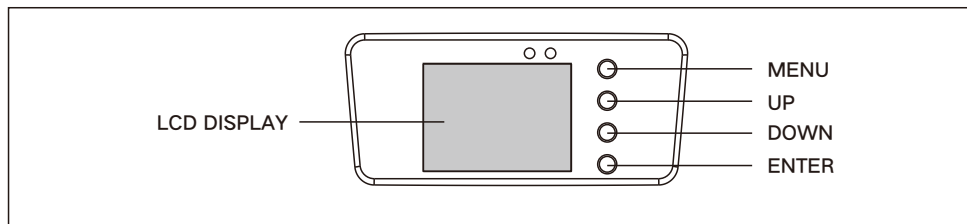


Connect the provided XLR cable to the female 3-pin XLR output of your controller and the other side to the male 3-pin XLR input of the moving head. You can chain multiple Moving head together through serial linking. The cable needed should be two core, screened cable with XLR input and output connectors. Please refer to the diagram below. DMX-512 connection with DMX terminator.

For installations where the DMX cable has to run a long distance or is in an electrically noisy environment, such as in a discotheque, it is recommended to use a DMX terminator. This helps in preventing corruption of the digital control signal by electrical noise. The DMX terminator is simply an XLR plug with a 3 resistor connected between pins 2 and 3, which is then plugged into the output XLR socket of the last fixture in the chain. Please see illustrations below.



8.MENU OPERATIONS



MENU		Description	
Function Mode	Dmx Address	A001~AXXX	DMX address setting
	Channel Mode	Ch20	20 Channel Mode
		Ch14	14 Channel Mode
		Ch44	44 Channel Mode
		Ch50	50 Channel Mode
Auto Run	Internal Program1~8	Master/Alone	Auto run
Music Control	Internal Program1~8	Master/Alone	Sound Control
Option	Reset Default	Yes/No	Reset Default
	Signal Set	Wire DMX	Wire DMX
Wireless DMX		Wireless DMX	
Pan / Tilt	Act WDMX & Out	Act WDMX & Out	
	Reverse Pan (On/Off)	Reverse Pan	
	Reverse Tilt (On/Off)	Reverse Tilt	
	Select Pan 630° /540° /360°	Pan Degree,default is 540°	
UI SET	Select Tilt 270° /180° /90°	Tilt Degree,default is 270°	
	Mic SEN 0~99%	Sensitivity Setting	
	OFF Signal Mode (On/Off)	OFF at original status and ON at reset status when no DMX signal	
Information	Temperature	XXX ° C/ ° F	Current Temperature
	Software Version	V1.0~V9.9	Software Version
Manual Control	Reset	Total Reset	Total Reset
	Channel	Pan/Tilt Reset	Pan/Tilt Reset
		Zoom Reset	Zoom Reset
Advanced (Access Code 088)	Calibration	PAN=XXX.....	Manual Channel Control
			Calibration(Code:088)

9.DMX PROTOCOL

Mode/Channel	Value	
50 44 20 14		
1	1	Pan PAN Movement
2	2	Pan-fine Fine control of Pan movement
3	3	Tilt Tilt Movement
4	4	Tile-fine Fine control of Tilt movement
5	5	Speed pan/tile max to min speed
	226..235	blackout by movement
	236..255	no function
6	6	Dimmer Dimmer 0%... 100%
7	7	Shutter Shutter closed
	0..31	shutter open
	32..63	Strobe effect slow to fast
	64..95	shutter open
	96..127	Pulse-effect in sequences slow to fast
	128..159	shutter open
	160..191	shutter open
	192..223	Random strobe effect slow to fast
224..255	shutter open	
8	8	Red 0-100% Red dimmer from dark to bright
9	9	Green 0-100% Green dimmer from dark to bright
10	10	Blue 0-100% Blue dimmer from dark to bright
11	11	White 0-100% White dimmer from dark to bright