

# DIN Rail DMX512 Signal Converter

## User's Manual



**(Please read through this manual carefully before use)**

### ➤ **Brief Introduction**

Welcome to use the DIN Rail DMX512 to 0-10V converter, which adopted advanced micro-computer control technology to transfer DMX512/1990 signal to 0-10V signal or PWM 10V、5V signal. 1-5 output channels can be selected, and each channel can be controlled independently.

### ➤ **Specifications**

Model	0-10V	PWM 5V	PWM 10V
Input voltage	DC12V-DC24V	DC12V-DC24V	DC12V-DC24V
Input signal	DMX512/1990	DMX512/1990	DMX512/1990
Output signal	5CH 0-10V signal	5CH PWM 5V	5CH PWM 10V
Max output power	20mA×5CH	40mA×5CH	40mA×5CH
DMX512 socket	RJ45	RJ45	RJ45
Product Dimension	L111×W46×H66(mm)		
Gross Weight	110g		

## ➤ Basic Features

1. Automatically adapts input voltage DC12V-24V.
2. Input standard DMX512 signal; 3-digital-display shows DMX address code.
3. 5 isolate output channels.
4. Indicator of the DMX512 signal receiving status..
5. Wrong wiring protection at DMX port.
6. Power loss memory function.
7. The DIN rail style design facilitates the installation of large-scale projects.

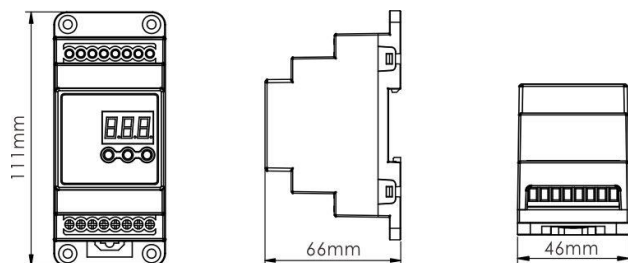
## ➤ Safety warnings

Please don't install this controller in lightning, intense magnetic and high-voltage fields.

1. To reduce the risk of component damage and fire caused by short circuit, make sure correct connection
2. Always be sure to mount this unit in an area that will allow proper ventilation to ensure a fitting temperature.
3. Check if the voltage and power adapter suit the controller  
**(please select DC12-24V power supply with constant voltage)**
4. Don't connect cables with power on; make sure a correct connection and no short circuit checked with instrument before power on.
5. Please don't open controller cover and operate if problems occur.

**The manual is only suitable for this model; any update is subject to change without prior notice.**

## ➤ Dimensions



**➤ Operating instructions**

The converter has 3 keys, respectively M, +, -; long press "M" for 2 seconds to

M	Change order in 3 digital display
+	Increase value
-	Decrease value

enter.

Three-digital-display indicates the current setting value; different value indicates different operating status. Three-digital-display goes off without operation for 30 seconds; press any key to turn it on.

The decoder has an automatic key lock function. If no settings are made to the decoder, the key lock function is activated after approximately 15 seconds automatically. Pressing M button for about 2 seconds to deactivated.

1. DMX Slave Mode: The value is: 001-512, such as: "001"



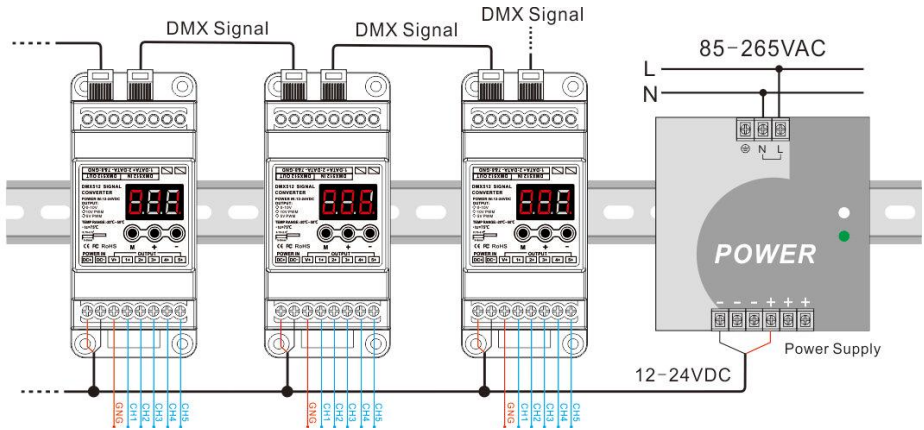
The decimal point of last digital of the display tube will twinkle regularly when receives DMX512 signal normally.

When no signal is received, the decimal point does not twinkle, and the digital display shows current DMX address.

DMX master mode preset patterns list:

000	All channels to 100%
1.00-1.99	CH1 dimming 0-99%
2.00-2.99	CH2 dimming 0-99%
3.00-3.99	CH3 dimming 0-99%
4.00-4.99	CH4 dimming 0-99%
5.00-5.99	CH5 dimming 0-99%

## ➤ Wiring Indication



## ➤ Exception Handles

Malfunction	Reasons	Solutions
No light	1. No power supply	1. Check power supply
	2. Reversed polarity	2. Reverse it
	3. Signal terminal not connected or reversed	3. Signal terminal not connected or reversed
	4. Long circuit such as longer than 300m	4. Add signal terminator or amplifier
Wrong color	5. RGBWY wrong wiring	5. Re-wire RGBWY
	6. Wrong input of decoder address	6. Re-input
One or several color(s) alight but no change	7. Signal terminator wrongly connected or reversed	7. Check the wiring re-wire it properly
	8. Long circuit such as longer than 300m	8. Add signal terminator or amplifier
Abnormal shake during	9. Signal terminator not be properly connected	9. Connect it properly
	10. Long circuit such as longer than 300m	10. Add DMX signal transmitter or splitter

## ➤ After-Sales

From the day you purchase our products within 3 years, if being used properly in accordance with the instruction, and quality problems occur, we provide free repair or replacement services except the following cases:

1. Any defects caused by wrong operations.
2. Any damages caused by inappropriate power supply or abnormal voltage.
3. Any damages caused by unauthorized removal, maintenance, modifying circuit,

incorrect connections and replacing chips.

4. Any damages due to transportation, breaking, flooded water after the purchase.
5. Any damages caused by earthquake, fire, flood, lightning strike etc. force majeure of natural disasters.
6. Any damages caused by negligence, inappropriate storing at high temperature and humidity environment or near harmful chemicals.
7. Product has been updated.