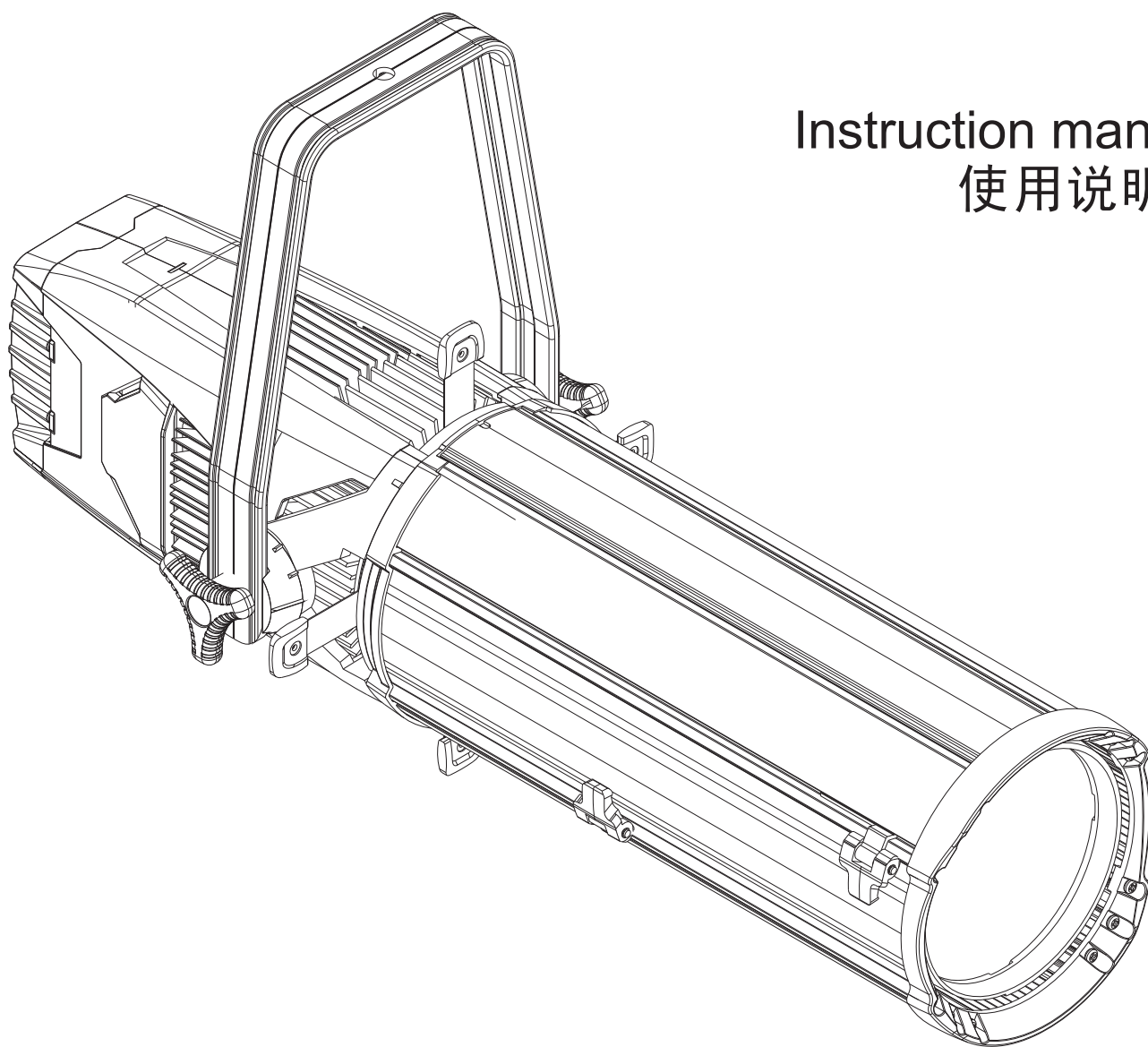


A-CLASS
LED ZOOM Ellipsoidal Lighting
A系列LED变焦成像灯

100W/150W



Instruction manual
使用说明书

Safety Instructions 安全规则

English

Advice before use

Read these instruction carefully

As soon as the equipment is delivered, open packing and inspect the equipment carefully.

If you notice any damage ,immediately contact the transport company and register your complaint in due form listing the defects.

Be sure that this equipment left our factory in perfect condition.

Check if the received equipment is consistent with the delivery notice and if this delivery notice is consistent with your order.

If it is not ,immediately contact with you supplier.

General Remarks

This luminaire is lighting equipment designed for professional use only indoors in theatres and televison or film studios. It must imperatively be connected to earth by means of its earth wire.

To prevent any electrical shock, this equipment should not be opened when functioning.

Nevertheless:

Any part or lenses have to be replaced if they are visibly damaged and their efficiency might be reduced, for example in case of deep cracks or scratches. The lamp must be changed if damaged or distorted by heat. If internal access is needed for control, service or repair purposes, always refer to qualified personnel.

In all events, always unplug the power supply cable before opening.

It is the user' s responsibility to use the luminaire for its

intended purpose and to check the equipment that might be connected to it.

The luminaire can under no circumstances be modified.

BRIGHTEN will not assume any responsibility in case of damage resulting from modifications made to the luminaire.

This luminaire is a piece of professional equipment designed for easy and simple use. Nevertheless, always refer to qualified personnel for any installation or repair work.

Important Remark

Power supply cables and other connections are essential for your equipment and contribute greatly to a safe and trouble free operation.

Always hold the plug when disconnecting a cable, never pull the cable. Never use cables or connectors in bad condition, check them before installation and periodically thereafter.

Never tie power supply and data cables together.

Electrical Connection

This luminaire is designed for operating at a nominal voltage of 220V.It is fitted with a 0.9 m silicone power supply cable(3× 2.0mm²).

For your own safety, make sure the earth wire(yellow-green) is ALWAYS connected to earth.

Caution:

The fixture should be used with shield.



ATTENTION:
LETHAL VOLTAGE
PRESENT INSIDE!

故责任。

此灯具是一种专业设备，虽设计改良后的操作简单方便，但仍需要专业人士进行安装维护。

要点

电源线及其它连接装置对于设备都是很重要的，因其合理安排才导致设备的安全便利运用。

在拔插头时必须用手持插头并拉出，切勿直接拉扯电源线切勿在恶劣的环境下使用电源线，在安装前应检测，并在安装后保持周期性的检测。

切勿将电源线及其他信号线扎在一起，以防混淆。

电源连接

此灯具适应230V的常规电压。并带有0.9m 电源线（3× 2.0平方毫米）。

为了使用者的安全，务必保持地线（黄绿色）接地。



警告：
内部带危险电压！

中文

提示

使用前请仔细阅读此安全规则。

在该设备已经通过运输到达使用目的地后，请小心打开包装并取出此设备。

如发现任何缺损，应立即联系货运公司并按照缺损情况进行投诉。

确认此设备在出厂时为完好无损。

请检查接收到的设备是否与货运单中登记的货物相符，以及货运单中登记货物是否与您的订购的货物相符，如有不符请立即联系您的供货商。

总述

此灯具乃专为剧场、电视电影工作间等设计的专业户内照明设备。必须将标记为地线的电线接地线。

不要在此设备运行时打开外壳，以避免被电击。

若在镜片发现明显缺损，应立即更换镜片并降低其功率，比如深刻的裂痕或刮痕。灯泡在高热后出现损坏或扭曲变形应立即更换。需要在灯具内部进行检查、维护、修理等操作时，都应交由专业人士。

一旦出现事故，在打开灯具外壳前应首先拔去电源线插头。

使用者应在此设备规定用途范围内进行操作，并核对设备的线路是否正确连接。

请不要将该灯具置于多变的恶劣环境。

佰艺概不承担由于擅自更换其它类型光源而引起的损坏事

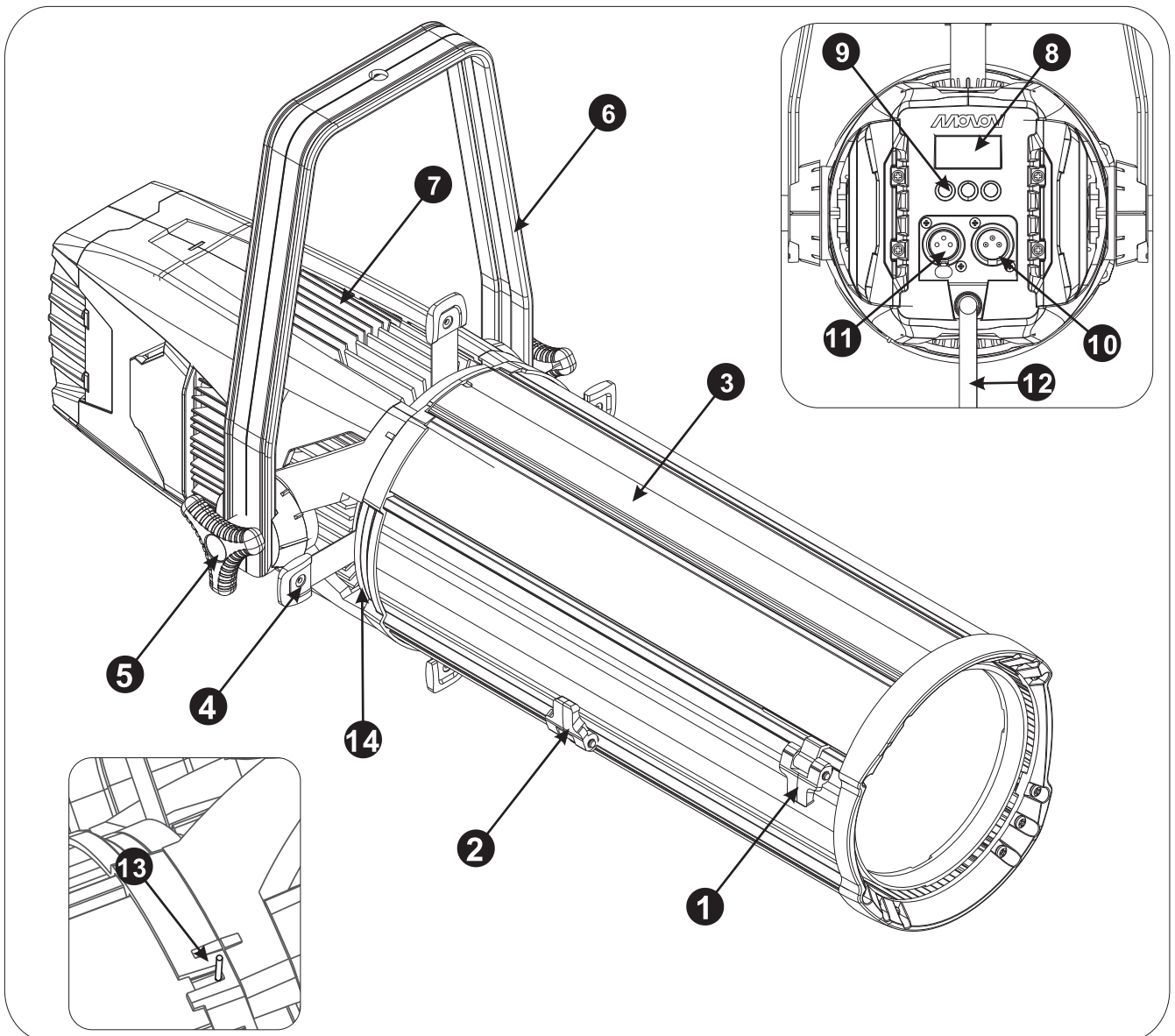
Overview 部件名称

English

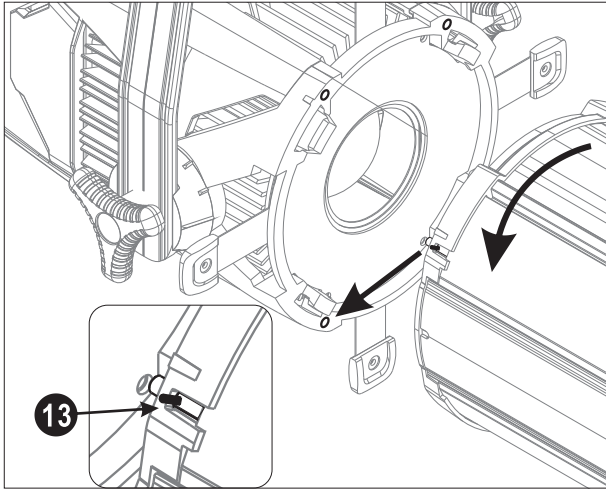
- 1.FRONT LENS LOCKING KNOB
- 2.BACK LENS LOCKING KNOB
- 3.REMOVABLE ACCESS COVER
- 4.BEAM SHAPER
- 5.TILT LOCKING KNOB
- 6.YOKE
- 7.HEAT DISSIPATION MODULE
- 8.DISPLAY BOARD
- 9.DIGITAL PRESS
- 10.DMX FEMALE SIGNAL PLUG
- 11.DMX MALE SIGNAL PLUG
- 12.CABLE
- 13.LAMP HOUSING LOCKING KNOB
- 14.COLOR FRAME &GOBO SLOT

中文

- 1.前镜片调节锁扣
- 2.后镜片调节锁扣
- 3.镜头盖板
- 4.插片手柄
- 5.角度调节旋钮
- 6.吊臂
- 7.灯体散热组件
- 8.显示面板
- 9.3位控制按键
- 10.DMX信号母插头
- 11.DMX信号公插头
- 12.电源线
- 13.镜头锁件
- 14.色片&成像片插槽



Installation and removal of the lens 镜头的安装与拆卸



The light house and lens connection is used with the bayonet connection, It makes it more convenient and faster even do replacement or disassemble.

Pls notice that the fixture would be very hot, Be careful and avoid lens damage caused by falling.

As shown in the figure, hold the lens to slot into the position of the light source then rotate 45°, Lens lock catch would automatically lock the lens firmly in position on the light. Poke front while rotating the lens locking pieces 45° lens can remove the lens.

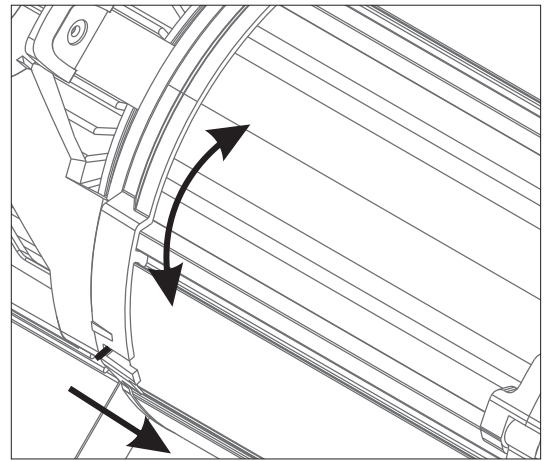
English

中文

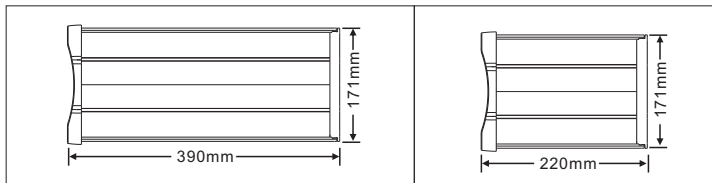
本灯具的光源仓与镜头采用卡口连接方式，无论安装、拆卸或更换镜头都非常的简易、快捷。

请注意，灯具可能处于高温状态，小心避免因镜头跌落而造成镜片的破损。

如上图手持镜头对正光源仓卡槽装入后旋转45°，镜头锁件(13)即时自动将镜头牢固的锁定在光源仓上。向前拨开镜头锁件的同时旋转镜头45°便可将镜头取出(左图)。



Zoom 变焦镜头



12°-25° ZOOM Lens

20°-35° ZOOM Lens

Mounting Gobos 安装成像片夹

English

WARNING:

The fixture may be extremely hot, pls do not touch it without anything.

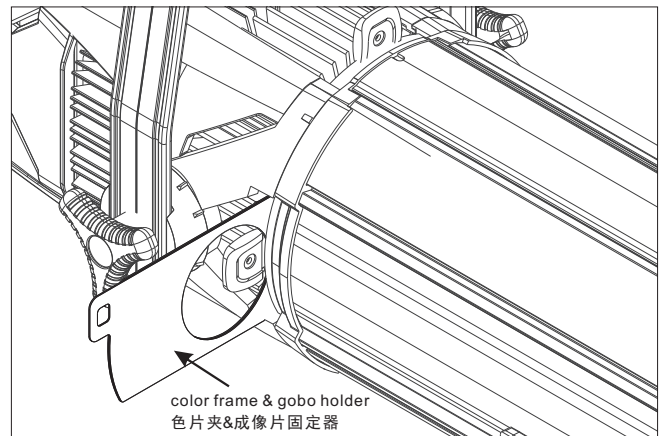
Insert the holder from pattern holder slot.

中文

注意:

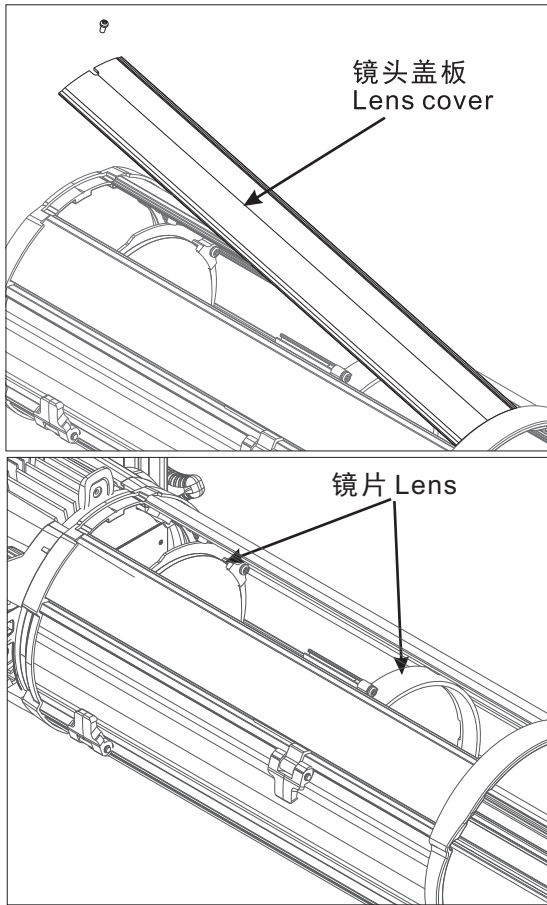
灯具可能处于高温状态，应避免裸手触及灯具的金属部件。

将成像图案片装入成像片夹后插入成像片卡槽即可(右上图)。



Cleaning the lenses

清洁镜片



WARNING

Special care must be taken when cleaning the lenses, as they are easily scratched! Wait until the luminaire has cooled down.

Remove the screw then push the removable access cover, and take it away from the lamp frame. Then move the lenses to a comfortable position for cleaning them more convenient.

Use a vacuum cleaner to remove dust and other loose particles. Use soft tissue paper or a soft cloth, in combination with distilled water and/or isopropyl alcohol, to remove other particles that have accumulated on the lens surface.

注意，镜片为易碎易刮花物件，清洁维护工作中请小心细致，并在灯具完全冷却后进行

拧下锁紧螺丝，将镜头盖板卸下，将镜片调整到适当位置即可进行清洁维护工作。

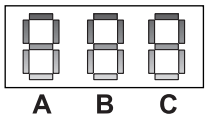
先使用小型吸尘器，清除多余的灰尘。再用浸过酒精和蒸馏水混合液的质柔棉纸或布料去清洗镜片表面堆积的微小灰尘。

English

中文

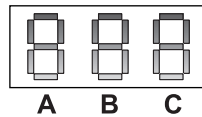
Operation panel

操作面板说明



三键可切换数字和字母如下

- (A) 百位:
0, 1, 2, 3, 4, 5, F, d, C
- (B) 十位:
0, 1, 2, 3, 4, 5, 6, 7, 8, 9
- (C) 个位:
0, 1, 2, 3, 4, 5, 6, 7, 8, 9



The code of each key

- (A) Hundreds:
0, 1, 2, 3, 4, 5, F, d, C
- (B) Decade:
0, 1, 2, 3, 4, 5, 6, 7, 8, 9
- (C) Unit:
0, 1, 2, 3, 4, 5, 6, 7, 8, 9

操控

A、使用 DMX 512 控台时

- 1、当 DMX 512 信号，接入第1台(以第1通道启始为例)，地置码按001；，第二台灯的地置码按004，(因本产品一机含3通道，故第二台须超第4通道开始以此类推)。

2、各通道定义如下：

通道1：

- 0-50：关闭
- 50-250：由起步亮度增到最大亮度
- 250-255：维持在最大亮度

Control

A、Using with DMX512

1. Access the first LED fixture (take an example of the first channel), with DMX512 signal, set address code for 001; the second one is 004 (this unit includes 3 channels, so the second one should be set from the 4th channel, and the rest can be Done in the same manner).

2. Each channel defined as follows:

Ch1:

- 0-50: Program off
- 50-250: Dimming
- 250-255: Maximum brightness

English

通道2:

0-10: 光源关闭
10-49: 以1pps频闪
50-99: 以5pps频闪
100-149: 以10pps频闪
150-199: 以15pps频闪
200-249: 全亮, 以18pps频闪
250-255: 光源关闭

(CH2) :

0-10: LED Power off
10-49: Strobe(1pps)
50-99: Strobe(5pps)
100-149: Strobe(10pps)
150-199: Strobe(15pps)
200-249: LED full power on ,strobe(18pps)
250-255: LED Power off

通道3:

0-10: 光源关闭

10-40: (-)5秒亮度由0升至100%,当亮度达到100%时亮度维持5秒不变,如此循环。
(=)全过程以15pps频闪。

41-80: (-)10秒亮度由0升至100%,当亮度达到100%时亮度维持5秒不变,如此循环。
(=)全过程以15pps频闪。

81-120: (-)3秒亮度由0升至100%,当亮度达到100%时亮度维持5秒不变,接着3秒亮度由100%降至0,当亮度达到30%亮度维持5秒不变, 如此循环。
(=)全过程以18pps频闪。

121-160: 10秒亮度由0升至100%,如此循环。

161-200: 5秒亮度由0升至100%,如此循环。

201-240: 3秒亮度由0升至100%,当亮度达到100%时亮度维持1秒不变,接着3秒亮度由100%降至0,当亮度达到0亮度维持1秒不变,如此循环。

241-255: 有音频信号时, 全开。超过7秒无音频信号, 光源自动关闭。

(CH3) :

0-10: LED Power off

10-40: (-)The brightness from 0% up to 100% in 5 seconds and remain for 5 seconds at maximum brightness, keep on recurring.
(=)Strobe speed is 15pps during overall process.

41-80: (-)The brightness from 0% up to 100% in 10 seconds and remain for 5 seconds at maximum brightness, Keep on recurring.
(=)Strobe speed is 15pps during overall process.

81-120: (-)The brightness from 0% up to 100% in 10 seconds and remain for 5 seconds at 100% brightness, and then the brightness from 100% down to 30% in 3 seconds and remain for 5 seconds , keep on Recurring.
(=)Strobe speed is 18pps during overall process.

121-160: The brightness from 0% up to 100% in 10 seconds, keep on recurring.

161-200: The brightness from 0% up to 100% in 5 seconds, keep on recurring.

201-240: The brightness from 0% up to 100% in 3 seconds and remain for 1 second at 100% brightness, and then the brightness from 100% down to 0% in 3 Seconds and remain for 1 second, keep on recurring.

241-255: It is power on when there is sound signal input,it will be power off if there is no sound input after 7 Seconds.

B、不使用DMX512控台时

- 1、先按数码管百位按键, 选择所需的功能 d-调光 C-频闪 F-内置程式。
- 2、再按数码管, 个位(0~9)选择光斑亮度或程式代码。

B、Using without DMX512 controller

- 1、Press hundreds of Nixie tube to select the function you want, D for dimmer, C for strobe and F for built-in system.
- 2、And press unit of Nixie tube (0-9) to select color or Program code.

自控编码显示器的数字编号定义如下:

调光设置:

d00: 光源关闭。
d01: 20%亮度。
d02: 30%亮度。
d03: 40%亮度。
d04: 50%亮度。
d05: 60%亮度。
d06: 70%亮度。
d07: 80%亮度。
d08: 90%亮度。
d09: 100%亮度。

频闪效果设置:

C01: 1pps频闪。
C02: 5pps频闪。
C03: 10pps频闪。
C04: 15pps频闪。
C05: 18pps频闪。

Address code for self control are defined as below:

Dimming:

d00: LED power off.
d01: 20% brightness.
d02: 30% brightness.
d03: 40% brightness.
d04: 50% brightness.
d05: 60% brightness.
d06: 70% brightness.
d07: 80% brightness.
d08: 90% brightness.
d09: 100% brightness.

Strobe:

C01: Strobe (1pps).
C02: Strobe (1pps).
C03: Strobe (1pps).
C04: Strobe (1pps).
C05: Strobe (1pps).

内置程式：

- F01: 光源关闭。
- F02: (-)5秒亮度由0升至100%，当亮度达到100%时亮度维持5秒不变，如此循环。
(=)全过程以15pps频闪。
- F03: (-)10秒亮度由0升至100%，当亮度达到100%时亮度维持5秒不变，如此循环。
(=)全过程以15pps频闪。
- F04: (-)3秒亮度由0升至100%，当亮度达到100%时亮度维持5秒不变，接着3秒亮度由100%降至0，当亮度达到0亮度维持5秒不变，如此循环。
(=)全过程以18pps频闪。
- F05: 10秒亮度由0升至100%，如此循环。
- F06: 5秒亮度由0升至100%，如此循环。
- F07: 3秒亮度由0升至100%，当亮度达到100%时亮度维持1秒不变，接着3秒亮度由100%降至0，当亮度达到0亮度维持1秒不变，如此循环。
- F08: (-)有音频信号时，全开。
(=)超过7秒无音频信号，光源自动关闭。

Built-in program:

- F01: LED Power off.
- F02: (-)The brightness from 0% up to 100% in 5 seconds and remain for 5 seconds at maximum brightness, keep on Recurring.
(=)Strobe speed is 15pps during overall process.
- F03: (-)The brightness from 0% up to 100% in 10 seconds and remain for 5 seconds at maximum brightness, keep on Recurring.
(=)Strobe speed is 15pps during overall process.
- F04: (-)The brightness from 0% up to 100% in 3 seconds and remain for 5 seconds at 100% brightness, and then the brightness from 100% down to 30% in 3 seconds and remain for 5 seconds, keep on recurring.
(=)Strobe speed is 18pps during overall process.
- F05: The brightness from 0% up to 100% in 10 seconds, keep on recurring.
- F06: The brightness from 0% up to 100% in 5 seconds, keep on recurring.
- F07: The brightness from 0% up to 100% in 3 seconds and remain for 1 second at 100% brightness, and then the brightness from 100% down to 0% in 3 seconds and remain for 1 second, keep on recurring.
- F08: (-) It is power on when there is sound signal input.
(=)It will be power off if there is no sound input after 7 Seconds.

Rating Specifications 产品规格

● 型号 Model	LEW0100A	LEW0150A
● 额定电压 Voltage	AC 100V~240V, 50/60Hz	AC 100V~240V, 50/60Hz
● 电流 Current	2.7A	2.7A
● 色温 Colour temperature(k)	3200k/6000k	3200k/6000k
● LED光源 LED Light source	100WLED	150W LED
● 功率因素 Power factor	PF>0.92(满载full load)	PF>0.92(满载full load)
● 光束角 Beam angle	12° -25° /20° -35°	12° -25° /20° -35°
● 显色指数 Ra	Ra>80%	Ra>80%
● 控制 Control	标准DMX512或自控 DMX512/Self contro	标准DMX512或自控 DMX512/Self contro
● 最小间隙距离 Min.Safe Interval	0.4m	0.4m
● 最小照射距离 Min.Throw Distance	1.5m	1.5m
● 悬挂时最大垂直角度 Tit Angle/Hang Use	UP45° DN90°	UP45° DN90°
● 站立时最大垂直角度 Tit Angle/Stand Use	UP90° DN45°	UP90° DN45°
● 使用温度 Temperture	-5°C ~40°C	-5°C ~40°C
● 使用湿度 Humidity	15 ~ 75%	15 ~ 75%
● 储存温度 Store Temperture	5°C~35°C	5°C~35°C
● 重量 Weight	7.8kg	7.8kg
● 灯体材料 Body material	全铝合金压铸 Die-casting Aluminum	全铝合金压铸 Die-casting Aluminum
● 灯体颜色 Body color	黑色	黑色

Photometric Data 照度测量数据

Values at minimum and maximum angle

最大最小角度性能数据

LEZ1225A(100W 6000k)

	Distance(m)	距离 (m)	2	4	6	8	10
12°	Field dia(m)	光斑直径 (m)	0.4	0.8	1.2	1.6	2.0
	Illumination(lux)	照度 (lux)	14250	3560	1580	890	570
25°	Field dia(m)	光斑直径 (m)	0.9	1.8	2.7	3.6	4.5
	Illumination(lux)	照度 (lux)	7900	1975	878	494	316

LEZ1225A(100W 3200k)

	Distance(m)	距离 (m)	2	4	6	8	10
12°	Field dia(m)	光斑直径 (m)	0.4	0.8	1.2	1.6	2.0
	Illumination(lux)	照度 (lux)	9980	2495	1108	623	400
25°	Field dia(m)	光斑直径 (m)	0.9	1.8	2.7	3.6	4.5
	Illumination(lux)	照度 (lux)	6530	1633	725	409	262

LEZ1225A(150W 6000k)

	Distance(m)	距离 (m)	2	4	6	8	10
12°	Field dia(m)	光斑直径 (m)	0.4	0.8	1.2	1.6	2.0
	Illumination(lux)	照度 (lux)	16300	4075	1811	1033	652
25°	Field dia(m)	光斑直径 (m)	0.9	1.8	2.7	3.6	4.5
	Illumination(lux)	照度 (lux)	11500	2875	1278	718	460

LEZ1225A(150W 3200k)

	Distance(m)	距离 (m)	2	4	6	8	10
12°	Field dia(m)	光斑直径 (m)	0.4	0.8	1.2	1.6	2.0
	Illumination(lux)	照度 (lux)	11668	2917	1296	729	466
25°	Field dia(m)	光斑直径 (m)	0.9	1.8	2.7	3.6	4.5
	Illumination(lux)	照度 (lux)	9900	2475	1100	618	396

LEZ2035A(100W 6000k)

	Distance(m)	距离 (m)	2	4	6	8	10
20°	Field dia(m)	光斑直径 (m)	0.7	1.4	2.1	2.8	3.5
	Illumination(lux)	照度 (lux)	7325	1830	810	458	293
35°	Field dia(m)	光斑直径 (m)	1.25	2.50	3.75	5.0	6.25
	Illumination(lux)	照度 (lux)	4960	1240	550	310	198

LEZ2035A(100W 3200k)

	Distance(m)	距离 (m)	2	4	6	8	10
20°	Field dia(m)	光斑直径 (m)	0.4	0.8	1.2	1.6	2.0
	Illumination(lux)	照度 (lux)	6900	1725	766	432	276
35°	Field dia(m)	光斑直径 (m)	0.9	1.8	2.7	3.6	4.5
	Illumination(lux)	照度 (lux)	4500	1125	500	281	180

LEZ2035A(150W 6000k)

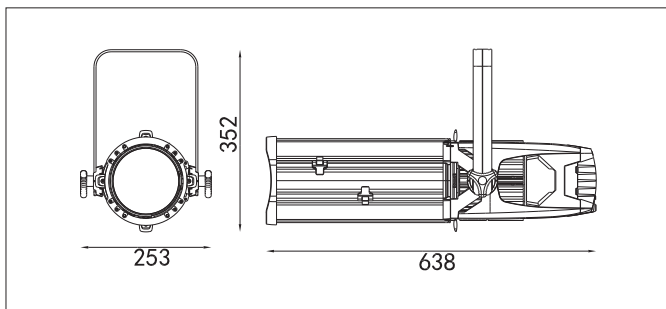
	Distance(m)	距离 (m)	2	4	6	8	10
20°	Field dia(m)	光斑直径 (m)	0.4	0.8	1.2	1.6	2.0
	Illumination(lux)	照度 (lux)	12800	3200	1422	800	512
35°	Field dia(m)	光斑直径 (m)	0.9	1.8	2.7	3.6	4.5
	Illumination(lux)	照度 (lux)	8350	2087	929	522	334

LEZ2035A(150W 3200k)

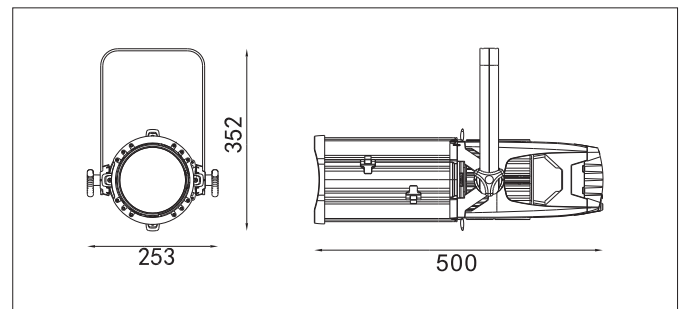
	Distance(m)	距离 (m)	2	4	6	8	10
20°	Field dia(m)	光斑直径 (m)	0.4	0.8	1.2	1.6	2.0
	Illumination(lux)	照度 (lux)	11631	2908	1293	727	465
35°	Field dia(m)	光斑直径 (m)	0.9	1.8	2.7	3.6	4.5
	Illumination(lux)	照度 (lux)	9862	2466	1096	616	395

Dimensions 尺寸图

LEZ1225A

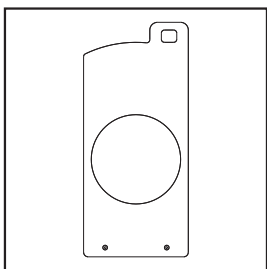


LEZ2035A

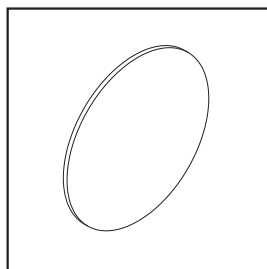


Accessories 附件

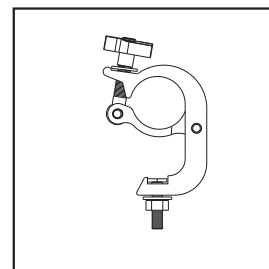
color frame & gobo holder
色片夹&成像片固定器



Lens
镜片

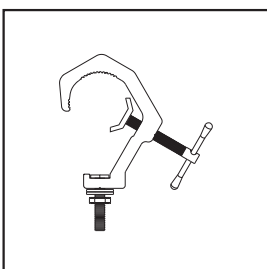


Heavy duty quickly clamp
CL-15 重型铝合金快速挂钩



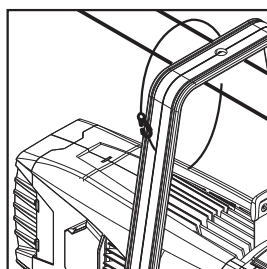
Available Pipe:
52mm
适合管径:
52mm

Heavy duty clamp
CL-16 重型铝合金挂钩



Available Pipe:
40-60mm
适合管径:
40-60mm

Safety cable
安全链



Available Pipe:
3x87mm
规格:
3x87mm

